



Cable Ties



 Nantong Intlevel Trade Co., Ltd.

Addr.: No.198 Gongnong road, Nantong, Jiangsu, China, ZIP code: 226001
Tel.: 0086 513 85587351 Fax: 0086 513 85587659
Email: sales@intlevel.cn Website: www.intlevel.cn



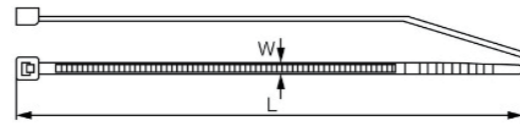
SELF-LOCK TYPE

自锁紧式尼龙扎带



技术信息 / Technical Information

- 产品材料: 尼龙 66
- 温度范围: -40°C ~85°C
- 产品颜色: 本色或者黑色
- 防火等级: UL94V-2
- 其他特性: 无卤, 抗紫外线
- Material: Nylon 66
- Working Temp.: -40°C to 85°C
- Color: Nature or Black
- Flammability: UL94V-2
- Other properties: Halogen free, UV-resistant



产品特性 / Product Feature

- 用途广, 使用方法简单;
- 一体式结构可以提供稳定的产品性能;
- 扎带末端设计成易入式, 提高了安装效率;
- 备有多种材料和颜色, 配合任何装备和环境;
- 适用条件: 户外或室内。
- Versatile cable ties can be used in countless applications.
- One-piece construction for consistent performance and reliability.
- Curved tip is easy to pickup from flat surfaces and allows fast installation.
- A variety of materials and colour is available for specific applications.
- For indoor or outdoor use

特殊材质要求 / Special Requirements Available

- 燃烧等级可以达到 UL94V-0;
- 抗 UV 材质, 建议在室外使用;
- 高温热稳定性 (达到 105°C), 适用于高温环境;
- 阻燃材质, 适用于公共交通线, 隧道等。
- Flame retardant(UL94V-0).
- UV Resistant, outdoor use with lots of sunlight.
- Heat stabilized(up to +105°C), for environment with high temperature.
- for environment requires low flammability.

规格型号 Item No.	宽度 width		长度 Length		最大捆绑直径 Max.Bundle Dia.		最小捆绑直径 Min.Bundle Dia.		最小拉力 Min.Tensile Strength	
	mm	inch	mm	inch	mm	inch	mm	inch	LBS	KGS
JG-3×60	2.5	0.098	60	2.36	11	0.43	2.0	0.079	18	8
JG-3×80	2.5	0.098	80	3.15	16	0.63	2.0	0.079	18	8
JG-3×100	2.5	0.098	100	3.94	22	0.87	2.0	0.079	18	8
JG-3×120	2.5	0.098	120	4.72	30	1.18	2.0	0.079	18	8
JG-3×150	2.5	0.098	150	5.91	35	1.38	2.0	0.079	18	8
JG-3×200	2.5	0.098	200	7.87	50	1.97	2.0	0.079	18	8
JG-4×100	3.6	0.142	100	3.94	22	1.30	3.0	0.118	42	18
JG-4×140	3.6	0.142	140	5.51	33	1.38	3.0	0.118	42	18
JG-4×150	3.6	0.142	150	5.91	35	1.65	3.0	0.118	42	18
JG-4×180	3.6	0.142	180	7.09	42	1.97	3.0	0.118	42	18
JG-4×200	3.6	0.142	200	7.87	50	2.56	3.0	0.118	42	18
JG-4×250	3.6	0.142	250	9.84	65	2.76	3.0	0.118	42	18
JG-4×280	3.6	0.142	280	11.02	70	3.15	3.0	0.118	42	18
JG-4×300	3.6	0.142	300	11.81	80	3.94	3.0	0.118	42	18
JG-4×350	3.6	0.142	350	13.78	100	3.94	3.0	0.118	42	18
JG-4×370	3.6	0.142	370	14.57	105	4.13	3.0	0.118	42	18

规格型号 Item No.	宽度 width		长度 Length		最大捆绑直径 Max.Bundle Dia.		最小捆绑直径 Min.Bundle Dia.		最小拉力 Min.Tensile strength	
	mm	inch	mm	inch	mm	inch	mm	inch	LBS	KGS
JG-5×120	4.8	0.189	120	4.72	30	1.18	3.5	0.138	50	22
JG-5×150	4.8	0.189	150	5.91	40	1.57	3.5	0.138	50	22
JG-5×180	4.8	0.189	180	7.09	42	1.65	3.5	0.138	50	22
JG-5×200	4.8	0.189	200	7.87	50	1.97	3.5	0.138	50	22
JG-5×250	4.8	0.189	250	9.84	65	2.56	8.0	0.315	50	22
JG-5×280	4.8	0.189	280	11.02	70	2.76	3.5	0.138	50	22
JG-5×300	4.8	0.189	300	11.81	80	3.16	3.5	0.138	50	22
JG-5×350	4.8	0.189	350	13.78	90	3.54	3.5	0.138	50	22
JG-5×370	4.8	0.189	370	14.57	98	3.86	3.5	0.138	50	22
JG-5×380	4.8	0.189	380	14.96	102	4.02	3.5	0.138	50	22
JG-5×400	4.8	0.189	400	15.75	105	4.13	3.5	0.138	50	22
JG-5×430	4.8	0.189	430	16.93	120	4.72	3.5	0.138	50	22
JG-5×450	4.8	0.189	450	17.72	130	5.12	3.5	0.138	50	22
JG-5×500	4.8	0.189	500	19.69	150	5.91	3.5	0.138	50	22
JG-5×550	4.8	0.189	550	21.65	160	6.3	10.0	0.394	50	22
JG-5×600	4.8	0.189	600	23.62	170	6.69	10.0	0.394	50	22
JG-5×650	4.8	0.189	650	25.59	185	7.28	10.0	0.394	50	22
JG-8×200	7.6	0.299	200	7.87	50	1.97	3.5	0.138	120	55
JG-8×250	7.6	0.299	250	9.84	65	2.56	8.0	0.315	120	55
JG-8×300	7.6	0.299	300	11.81	80	3.15	8.0	0.315	120	55
JG-8×350	7.6	0.299	350	13.78	90	3.54	8.0	0.315	120	55
JG-8×380	7.6	0.299	380	14.96	100	3.94	8.0	0.315	120	55
JG-8×400	7.6	0.299	400	15.75	105	4.13	8.0	0.315	120	55
JG-8×450	7.6	0.299	450	17.72	110	4.33	8.0	0.315	120	55
JG-8×500	7.6	0.299	500	19.69	150	5.91	8.0	0.315	120	55
JG-8×550	7.6	0.299	550	21.65	165	6.50	8.0	0.315	120	55
JG-8×600	7.6	0.299	600	23.62	170	6.69	10.0	0.394	120	55
JG-8×650	7.6	0.299	650	25.59	185	7.28	10.0	0.394	120	55
JG-8×700	7.6	0.299	700	27.56	190	7.48	10.0	0.394	120	55
JG-8×750	7.6	0.299	750	29.53	200	7.87	10.0	0.394	120	55
JG-8×800	7.6	0.299	800	31.50	205	8.07	10.0	0.394	120	55
JG-9×350	9.0	0.354	350	13.7	90	3.54	8.0	0.315	175	80
JG-9×400	9.0	0.354	400	15.75	105	4.13	10.0	0.394	175	80
JG-9×450	9.0	0.354	450	17.72	118	4.65	10.0	0.394	175	80
JG-9×500	9.0	0.354	500	19.69	150	5.91	10.0	0.394	175	80
JG-9×550	9.0	0.354	550	21.65	160	6.30	10.0	0.394	175	80
JG-9×600	9.0	0.354	600	23.62	170	6.69	10.0	0.394	175	80
JG-9×650	9.0	0.354	650	25.59	185	7.28	10.0	0.394	175	80
JG-9×700	9.0	0.354	700	27.56	190	7.48	10.0	0.394	175	80
JG-9×750	9.0	0.354	750	29.53	200	7.87	10.0	0.394	175	80
JG-9×760	9.0	0.354	760	29.92	205	8.07	10.0	0.394	175	80
JG-9×800	9.0	0.354	800	31.50	230	9.06	10.0	0.394	175	80
JG-9×850	9.0	0.354	850	33.46	240	9.45	10.0	0.394	175	80
JG-9×900	9.0	0.354	900	35.43	265	10.43	10.0	0.394	175	80
JG-9×1000	9.0	0.354	1000	39.37	300	11.81	10.0	0.394	175	80
JG-9×1100	9.0	0.354	1100	43.31	335	13.19	10.0	0.394	175	80
JG-9×1220	9.0	0.354	1200	48.02	370	14.57	10.0	0.394	175	80
JG-9×1350	9.0	0.354	1350	53.00	380	15.00	10.0	0.394	175	80
JG-9×1500	9.0	0.354	1500	60.00	470	18.50	10.0	0.394	175	80
JG-12×300	12	0.189	300	11.81	80	3.16	3.5	0.138	250	114
JG-12×500	12	0.189	500	19.69	150	5.91	3.5	0.138	250	114
JG-12×600	12	0.354	600	23.62	170	6.69	10.0	0.394	250	114
JG-12×650	12	0.354	650	25.59	185	7.28	10.0	0.394	250	114
JG-12×750	12	0.354	750	29.53	200	7.87	10.0	0.394	250	114



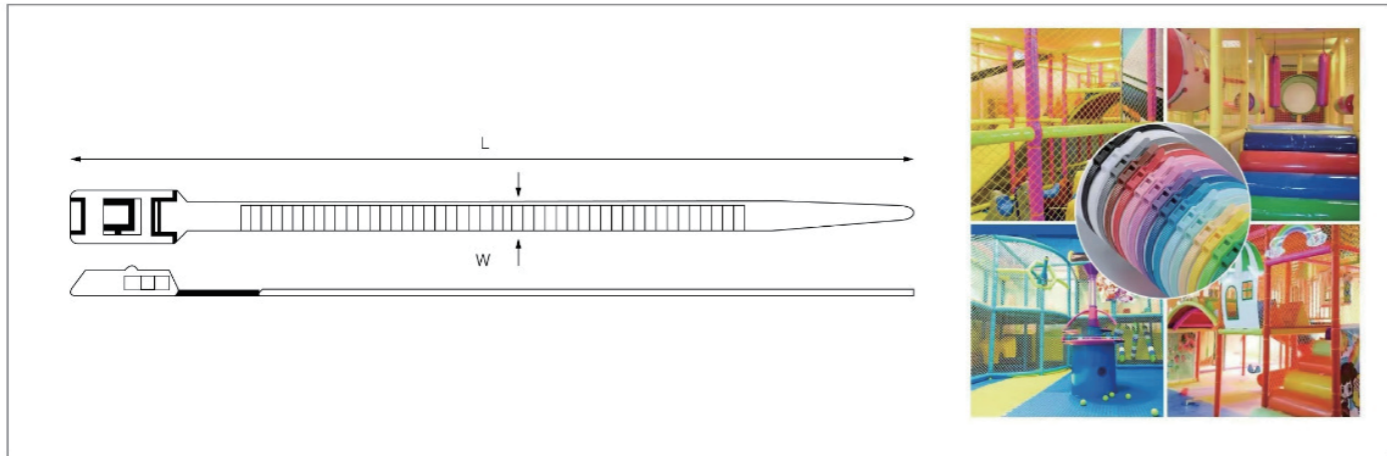
NAUGHTY CASTLE (CHILDREN'S PLAYGROUND) CABLE TIES

淘气堡 (儿童乐园) 扎带



产品特点及材质 /Product characteristics and material

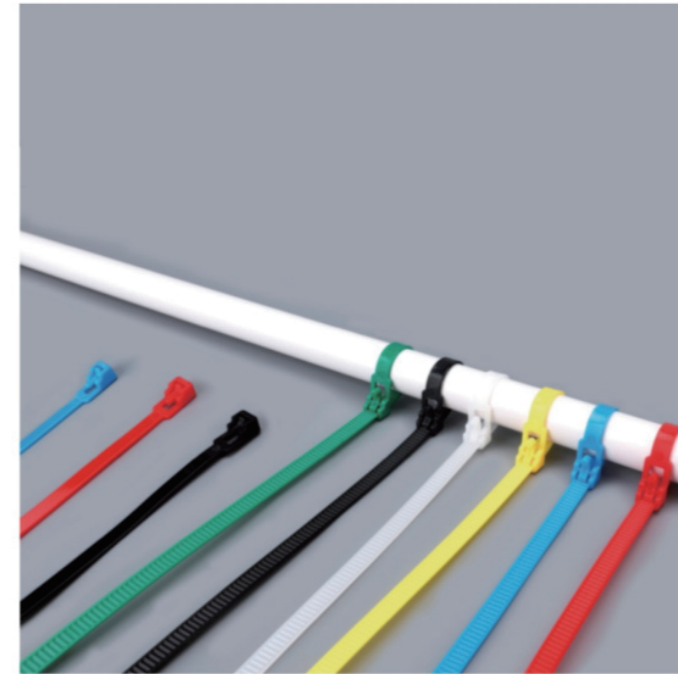
- 材质: 采用 UL 认可之尼龙 66 料制成, 防火等级 94V-2, 耐酸、耐蚀、绝缘性良好, 不易老化、承受力强。
- 主要使用在儿童乐园内的游乐设备中
- Material: Nylon 66, 94V-2 certified by UL. Heat-resisting, Acid&erosion control,insulate well and not apt tp age.
- It is mainly used in the amusement equipment in the children's paradise



型号 Item No.	L (长)		W (宽) (mm)	最大捆扎范围 Max.bundle Dia.(mm)	拉力 Min.loop Tensile Strength	
	Inch	mm			LBS	KGS
JG-350RT	13.78"	350	7.2	90	50	22
JG-400RT	15.75"	400	7.2	105	50	22
JG-400RT	15.75"	400	9.0	105	65	30
JG-450RT	17.72"	450	10	118	65	30

REUSABLE CABLE TIES

可重复使用扎带

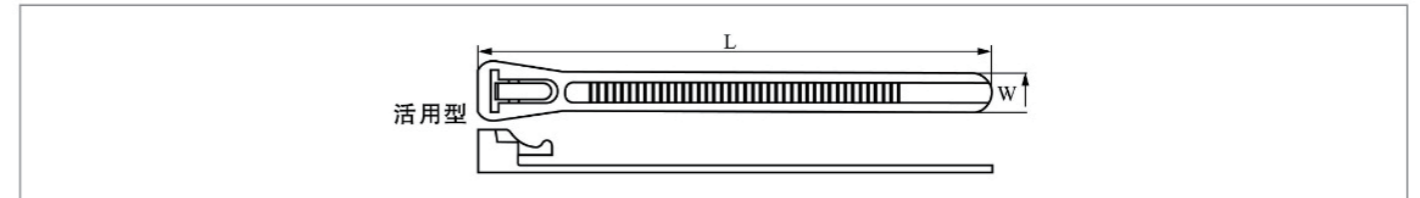


产品特点及材质 /Product characteristics and material

- 可退式结构可以使扎带被二次利用;
- 一体式的产品结构可以保证使用特性及稳定性;
- 扎带末端设计成易入式, 提高了安装效率;
- 多种材料可供选择:
- 室内和室外使用。
- Extended release tab permits easy release andre-usewhere changes are anticipated during development production, or servicing in the field.
- One-piece construction for consistent performance and reliability.
- Curved tip is easy to pick up from flat surface and allows faster initial th reading to speed installation.
- A variety of materials is available for specific applications.
- Fnrindoor or outdoor use.

技术信息 /Technical Information

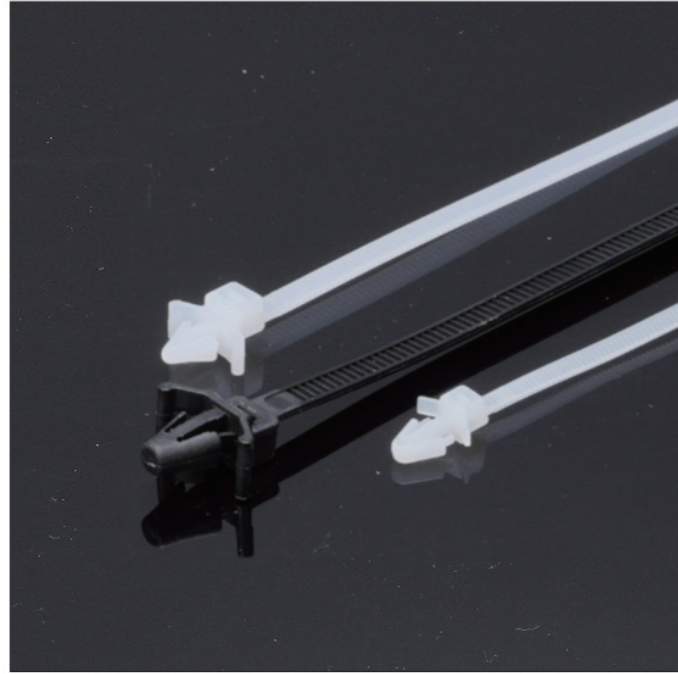
- 产品材料: 尼龙 66
- 温度范围: - 40°C -85°C
- 产品颜色: 本色或彩色
- 防火等级: UL94V-2
- 其他特性: 无卤, 抗紫外线
- Material: Nylon 6.6
- Working Temp:-40°C to 85°C
- Color: Nature or Black
- Flammability: UL94V-2
- Other properties: Halogen free, UV-resistant



规格型号 Item No.	宽度 width		长度 Length		最大捆扎范围 Max.bundle Dia.(mm)	最小拉力 Min.Tensile Strength	
	mm	Inch	mm	Inch		LBS	KGS
JG-4×150RT	3.6	0.141	150	5.91	40	34	15
JG-4×200RT	3.6	0.141	200	7.87	50	34	15
JG-5×150RT	4.8	0.189	150	5.91	40	42	18
JG-5×200RT	4.8	0.189	200	7.87	50	42	18
JG-5×250RT	4.8	0.189	250	9.84	65	42	18
JG-5×300RT	4.8	0.189	300	11.81	80	42	18
JG-8×150RT	7.2	0.283	150	5.91	40	50	22
JG-8×200RT	7.2	0.283	200	7.87	50	50	22
JG-8×250RT	7.2	0.283	250	9.84	65	50	22
JG-8×300RT	7.2	0.283	300	11.81	80	50	22
JG-8×350RT	7.2	0.283	350	13.78	90	50	22
JG-8×400RT	7.4	0.283	400	15.75	105	50	22
JG-8×450RT	7.4	0.283	450	17.72	130	50	22
JG-8×500RT	7.4	0.283	500	19.69	150	50	22
JG-8×600RT	7.4	0.283	600	23.62	170	50	22
JG-10×1000RT	10.0	0.393	1000	39.37	300	115	50
JG-10×1200RT	10.0	0.393	1200	43.31	370	115	50
JG-10×1500RT	10.0	0.393	1500	60.00	470	115	50

PUSH MOUNT TYPE

插销式尼龙扎带

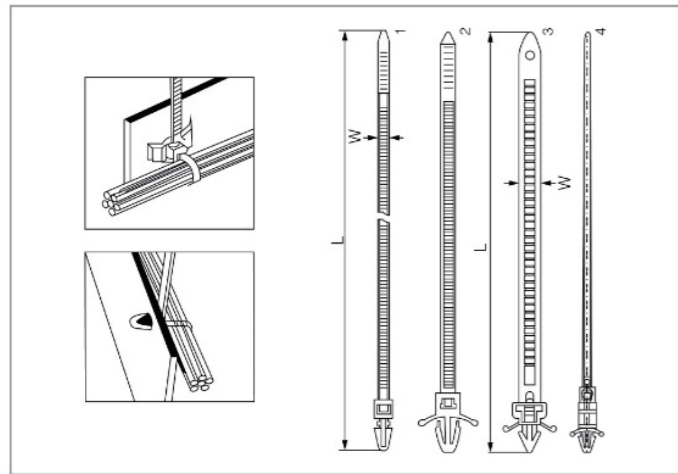


产品特性 /Product Feature

- 组合式电缆扎带;
- 可以将线束固定在平板表面;
- 可轻易地将部分位置捆入已钻好的洞孔之中;
- 羽翼设计可以提供持久的固定, 绑定的安装力;
- 扎带末端设计成易入式, 提高了安装效率;
- 适用条件: 户外或室内;
- Combines cable tie, mount and fastener into a single part.
- Used to attach bundles to another surface such as a flat panel,
- Part of the position can be easily bundled into the hole already drilled;
- Wings provide constant tension for a stable, secure, and rattle-free installation.
- Curved tip is easy to pick up from flat surfaces and allows faster initial threading to speed installation.
- For indoor or outdoor use

技术信息 /Technical Information

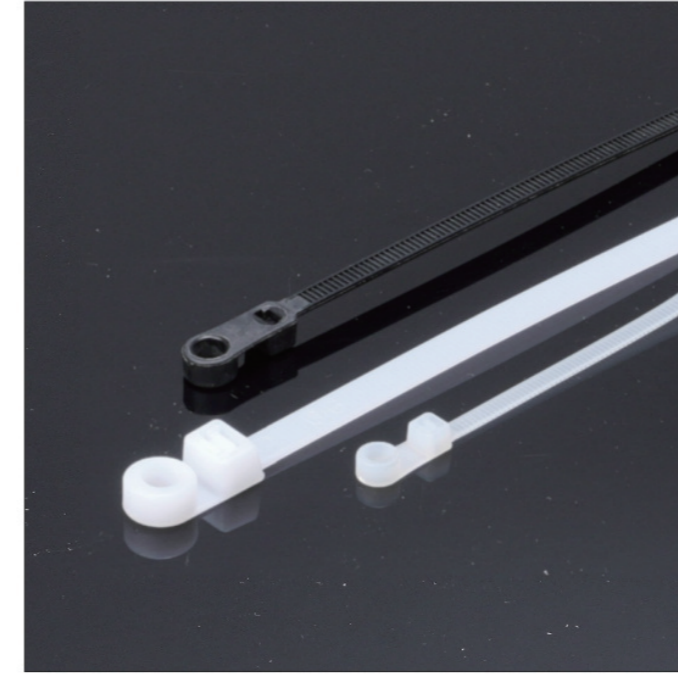
- 产品材料: 尼龙 66
- 温度范围: -40°C ~85°C
- 产品颜色: 本色或黑色
- 防火等级: UL94V-2
- 特殊材质要求: 抗紫外线
- 防火等级达到 UL94V-0
- Material: Nylon 66
- Working Temp.: -40°C to 85°C
- Color: Nature or Black
- Flammability : UL94V-2
- Available Special Features: UV Resistant;
- Flame Retardant (UL94V-0)



规格型号 Specification and model	宽度 With		长 Length		最大捆扎范围 Max.Bundle Diameter.(mm)		拉力 Min.loop Tensile KGS(LBS)	孔径(φ) aperture mm	基板厚度 Base plate thickness mm
	mm	inch	mm	inch	mm	inch			
JG-100PT	2.5	0.098	100	3.94	21.6	0.87	8(18)	3.5-5.0	0.5-2.5
JG-130PT	2.5	0.098	130	5.12	30	1.18	8(18)	4.0-5.0	0.5-3.0
JG-120PT	3.2	0.14	120	4.72	30	1.18	18(42)	4.0-5.0	0.5-2.5
JG-150PT	3.6	0.14	150	5.91	35	1.38	18(42)	5.0-6.0	0.5-2.0
JG-120PT	4.8	0.189	120	4.72	30	1.18	22(50)	6.5-8.0	0.5-2.5
JG-130PT	4.8	0.189	120	4.72	30	1.18	22(50)	6.0-7.1	2.5-3.1
JG-160PT	4.8	0.189	160	6.3	35	1.18	22(50)	6.0-7.0	2.5-3.0
JG-200PT	4.8	0.189	200	7.87	45	1.77	22(50)	6.0-7.0	2.5-3.0
JG-150PT	7.2	0.283	150	5.91	35	1.38	22(50)	8.5-10.5	0.5-3.2

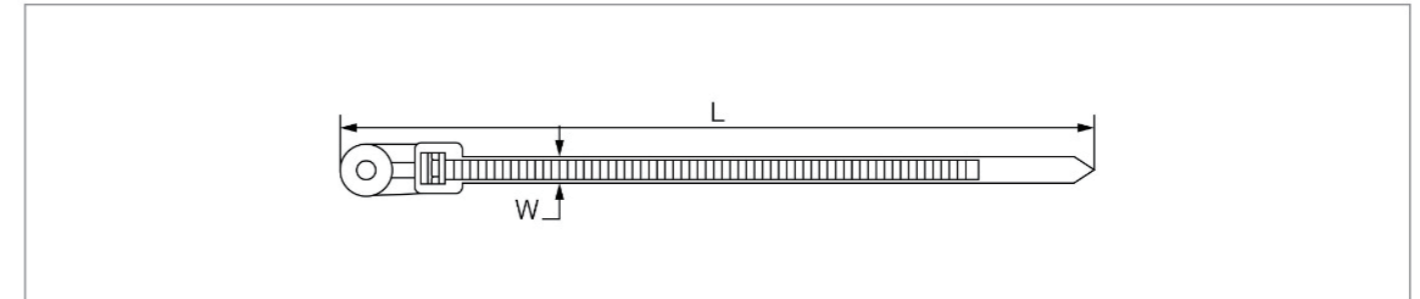
MOUNTABLE HEAD TIES

固定头式扎线带



产品特点及材质 /Product characteristics and material

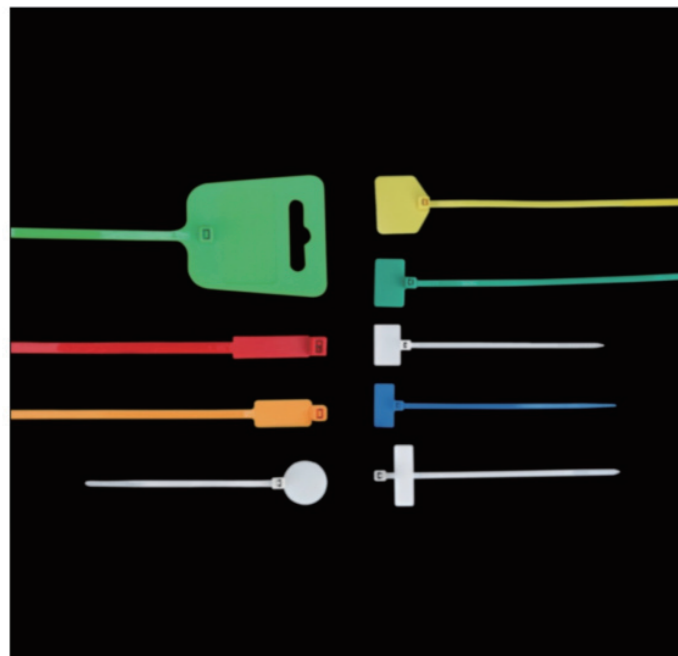
- 材质: UL 忍可之尼龙 66 料制成。
- 特点: 扎带捆扎电线后, 将整束电线用螺丝固定於基板上。
- Material: Nylon 66 certificated by UL.
- Usage:after bundling wires,fix them on plate with screw.



型号 Item No.	长 L		宽 W mm	(最大)捆扎范围 Max.bundle Dia.mm	孔径(φ) Hole Dia(mm)	承受力 Tensile Strength	
	Inch	mm				LBS	KGS
JG-3.6×100MT	4	100	3.6	19.0	4.5	40	18
JG-3.6×150MT	6	150	3.6	32	4.5	40	18
JG-3.6×200MT	8	200	3.6	42	4.5	40	18
JG-4.8×220MT	8.8	220	4.8	45	5.5 or 6	50	22
JG-4.8×300MT	10	300	4.8	80	5.5	50	22
JG-4.8×380MT	15.2	380	4.8	98	5.5	50	22
JG-7.6×300MT	10	300	7.6	80	6.5	120	55
JG-7.6×380MT	15.2	380	7.6	98	6.5	120	55

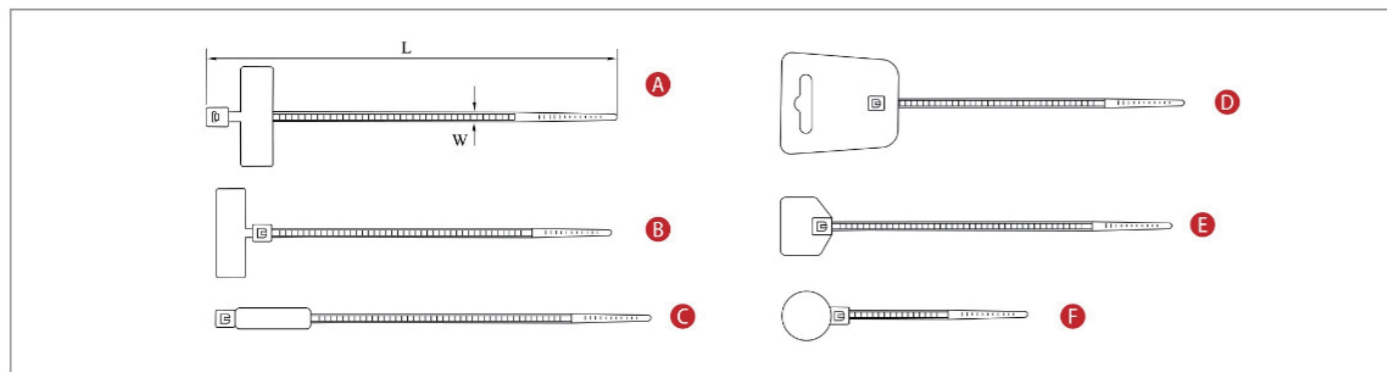
MARKER TIES

标牌扎线带



产品特性 / Product Feature

- 材质：采用 UL 认可之尼龙 66 料制成，防火等级 UL94V-2，耐酸、耐蚀、绝缘性能好、不易老化、承受力强。
- 适用温度范围：-40℃ -85℃
- 安装温度范围：-10℃ - 85℃
- 颜色：标准颜色为本色、黑色，另有抗紫外线之黑色。特殊颜色欢迎定做
做争特点：扎带前端的空白标牌可以标志记号。
- Material: Made of UL approved nylon 66 material, fire grade UL94V-2, acid resistance, corrosion resistance, good insulation performance, not easy to age, strong bearing capacity.
- Applicable temperature range: -40℃ -85℃
- Installation temperature range: -10℃ to 85℃
- Color: The standard color is natural, black, and UV resistant black. Special colors welcome custom features: the blank sign at the front of the cable tie can be marked.



编号 Item NO	L(长)		W(宽) (mm)	最小拉力 TensileStrength		标牌尺寸 Sticker Size
	Inch	mm		LBS	KGS	
JG-100MKT A	4.0	100	2.5	18	8.0	25x8
JG-200MKT A	8.0	200	2.5	18	8.0	25x8
JG-205MKT A	8.1	205	3.6	40	18.0	25x8

编号 Item NO	L(长)		W(宽) (mm)	最小拉力 TensileStrength		标牌尺寸 Sticker Size
	Inch	mm		LBS	KGS	
JG-100MKT B	4.0	100	2.5	18	8.0	21×10
JG-165MKT B	6.5	165	3.2	40	18.0	15×25
JG-215MKT B	8.5	215	3.2	40	18.0	15×25
JG-175MKT B	6.9	175	5.4	50	22.0	11×36
JG-200MKT C	8.0	200	4.5	50	22.0	13×28
JG-250MKT D	9.8	250	4.8	50	22.0	65×27
JG-215MKT E	8.5	215	3.2	40	18.0	30×20
JG-110MKT F	4.3	110	3.0	18	8.0	15×25

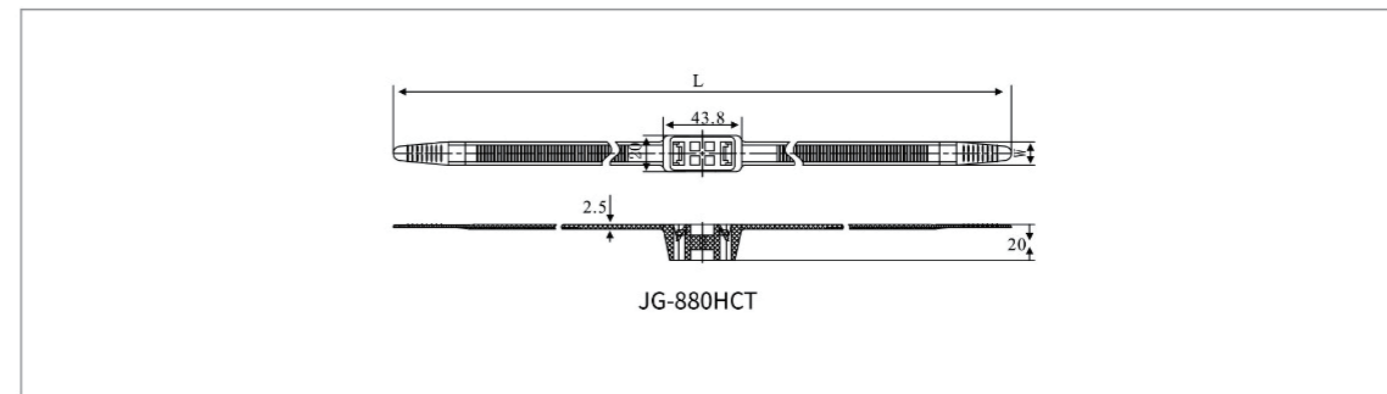
HANDCUFFED NYLON CABLE TIES

手铐式尼龙扎带



产品特点及材质 / Product characteristics and material

- 材质：尼龙 66。
- 特点：专业手铐设计，可代替铁质手铐。
- Material: NYLON 66.
- Features: handcuff design, substitute for iron handcuff.



型号 Item NO.	L(长)(mm)	W(宽)(mm)	最大捆扎范围 Max Bundle Dia.E (mm)	拉力 Min.loop Tensile Strength	
				LBS	KGS
JG-12×500	500	12	60	88	40
JG-12×700	700	12	90	219	100
JG-13×880	880	13	95	250	114

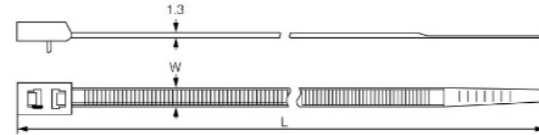
DOUBLE HEAD CABLE TIE

双头扎线带



产品特点及材质 /Product characteristics and material

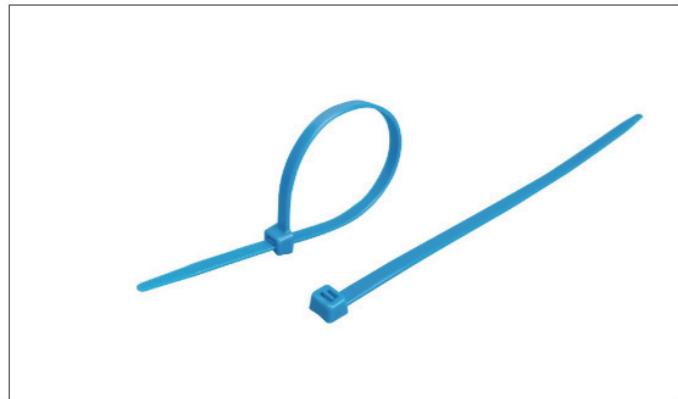
- 材质: UL 合格之 NYLON 66 (本色), 防火等级 94V-2。
- Material: Nylon 66 94V-2 certificated by UL.



型号 Item No.	长 L		宽 W mm	D1		D2		承受力 Tensile Strength	
	Inch	mm		Max.	Min.	Max.	Min.	LBS	KGS
JG-5×200DT	8.0"	200	4.8	59	2.5	52	2.0	50	22
JG-5×225DT	8.86"	225	4.8	66	2.5	60	2.0	50	22
JG-5×250DT	9.84"	250	4.8	73	2.5	66	2.0	50	22
JG-5×300DT	11.8"	300	4.8	83	2.5	76	2.0	50	22
JG-5×370DT	15"	370	4.8	105	2.5	98	2.0	50	22

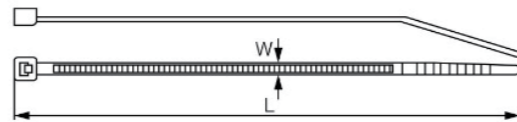
TEFLON TIES

铁氟龙扎带



产品特点及材质 /Product characteristics and material

- 材料: 采用 UL 认可的 ETFE 原料制成, 防火等级 UL94V-0, 具有比 66 尼龙更高的耐热特性。
- 温度: 标准温度范围 -60°C -200°C
- Material: Made of UL approved ETFE raw material, fire rating UL94V-0, with higher heat resistance than 66 nylon.
- Temperature: Standard temperature range -60°C -200°C



型号 Item No.	宽 W mm		长 L		(最大) 扎范围 Max.bundle Dia.(mm)		最小拉力 Tensile Strength	
	mml	nch	mml	nch	mml	nch	LBS	KGS
JG-2.5×100MF	2.5	0.098	100	3.94	22	0.87	18	8
JG-3.6×150MF	3.6	0.142	150	5.91	35	1.65	40	18
JG-3.6×200MF	3.6	0.142	200	7.87	50	1.97	40	18
JG-4.8×200MF	4.8	0.189	200	7.87	50	1.97	50	22
JG-4.8×300MF	4.8	0.189	300	11.81	80	3.16	50	22
JG-4.8×370MF	4.8	0.189	370	14.57	98	3.86	50	22
JG-7.6×300MF	7.6	0.299	300	11.81	80	3.16	120	55
JG-7.6×370MF	7.6	0.299	370	14.57	98	3.86	120	55
JG-8.8×430MF	8.8	0.35	430	16.93	110	4.32	175	80
JG-8.8×630MF	8.8	0.35	630	24.8	170	6.69	175	80

METAL DETECTABLE CABLE TIES

金属可探测扎带



产品特点及材质 /Product characteristics and material

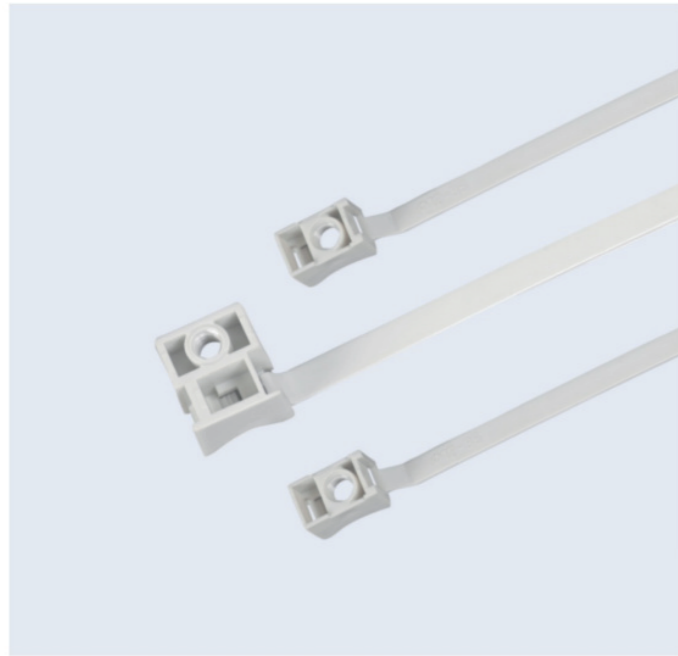
- 材质: 金属可探尼龙料, 防火等级 UL94-HB。
- 适用温度范围: -30°C -120°C
- 安装温度范围: -10°C -120°C
- 颜色: 蓝色
- 特点: 适用于食品和医药行业, 可被金属传感器检测出。
- Material: Metal probing nylon material, fire rating UL94-HB.
- Applicable temperature range: -30°C -120°C
- Installation temperature range: -10°C -120°C
- Color: Blue
- Features: Suitable for food and pharmaceutical industries, can be detected by metal sensors.

编号 Item NO.	长 L		宽 W mm	(最大) 扎范围 Max.bundle Dia.(mm)	最小拉力 Tensile Strength	
	Inch	mm			LBS	KGS
JG-3×100MD	0.09	100	2.5	22	18	8
JG-4×150MD	5.91	150	3.6	35	40	18
JG-4×200MD	7.87	200	3.6	53	40	18
JG-5×200MD	7.87	200	4.8	53	50	22
JG-5×250MD	9.84	250	4.8	65	50	22
JG-5×300MD	11.81	300	4.8	82	50	22
JG-5×380MD	14.96	380	4.8	105	50	22
JG-8×300MD	11.81	300	7.6	80	120	55
JG-8×350MD	13.78	350	7.6	90	120	55
JG-8×400MD	15.75	400	7.6	105	120	55
JG-8×500MD	19.69	500	7.6	145	120	55



FIXED LOCK TYPE CABLE TIE

固定锁式扎带



产品特点及材质 /Product characteristics and material

- 材质：采用 UL 认可之尼龙 66 料制成，防火等级 UL94V-2，耐酸、耐蚀、绝缘性能好、不易老化、承受力强。
- 适用温度范围：-40°C—85°C
- 安装温度范围：-10°C -85°C
- 颜色：标准颜色为本色、黑色，另有抗紫外线之黑色。特殊颜色欢迎定做。
- Material: Made of UL approved nylon 66 material, fire grade UL94V-2, acid resistance, corrosion resistance, good insulation performance, not easy to age, strong bearing capacity.
- Applicable temperature range: -40°C to 85°C
- Installation temperature range: -10°C -85°C
- Color: The standard color is natural, black, and UV resistant black. Special colors welcome to order.

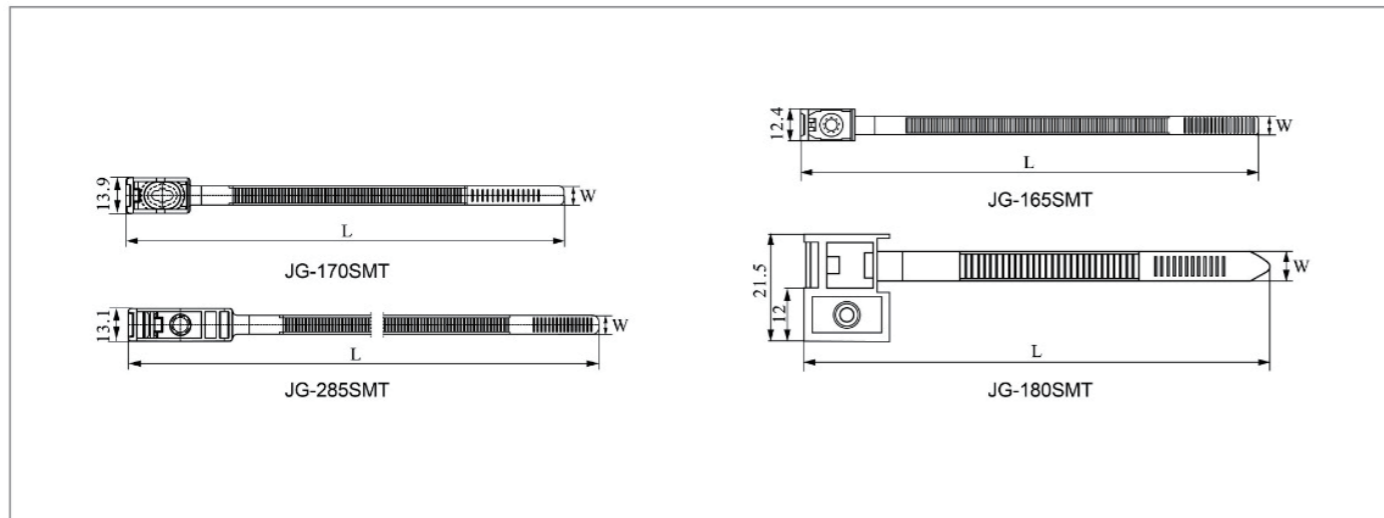
DOUBLE-BUCKLE CABLE TIES

双扣式扎带

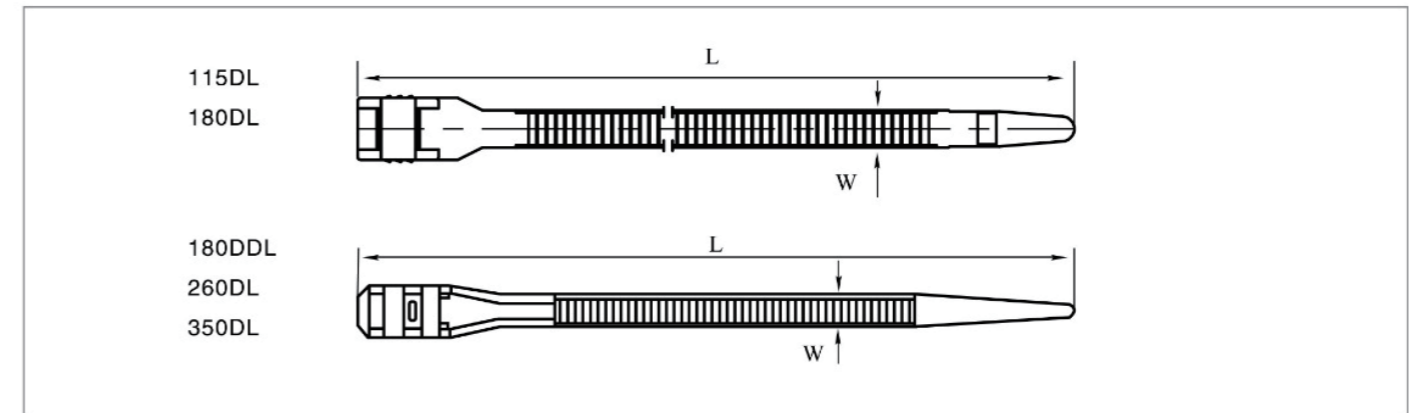


产品特点及材质 /Product characteristics and material

- 材质：采用 UL 认可之尼龙 66 或尼龙 12 料制成，防火等级 UL94V-2，耐酸、耐蚀、绝缘性能好、不易老化、承受力强。
- 适用温度范围：-40°C -85°C (PA66), -40°C -65°C (PA12)
- 安装温度范围：-10°C *85°C (PA66), -10°C -65°C (PA12)
- 颜色：黑色，另有抗紫外线之黑色。
- 特点：拉力更强，不易脱扣。
- Material: Made of UL approved nylon 66 or nylon 12 material, fire grade UL94V-2, acid resistance, corrosion resistance, good insulation performance, not easy to age, strong bearing capacity.
- Applicable temperature range: -40°C -85°C (PA66), -40°C -65°C (PA12)
- Installation temperature range: -10°C *85°C (PA66), -10°C -65°C (PA12)
- Color: Black with UV resistant black.
- Features: stronger tension, not easy to trip.



编号 Item NO.	长度 (mm)		宽度 (mm)	(最大) 扎范围 Max.bundle Dia.(mm)	最小拉力 Tensile Strength	
	Inch	mm			LBS	KGS
JG-165SMT	6 1/2"	165	7.5	33	50	22
JG-170SMT	6 11/16"	170	7.5	35	50	22
JG-180SMT	7"	180	7.5	38	50	22
JG-230SMT	9 1/16"	230	7.5	55	50	22
JG-285SMT	11 7/32"	285	7.5	65	50	22



编号 Item NO.	长度 (mm)		宽度 (mm)	(最大) 扎范围 Max.bundle Dia.(mm)	最小拉力 Tensile Strength	
	Inch	mm			LBS	KGS
JG-115DL	5 1/8"	115	6.0	22	78	35
JG-180DL	7"	180	6.0	45	78	35
JG-180DL	7"	180	9.0	45	90	40
JG-260DL	10 1/4"	260	9.0	66	112	50
JG-350DL	13 5/8"	350	9.0	90	112	50

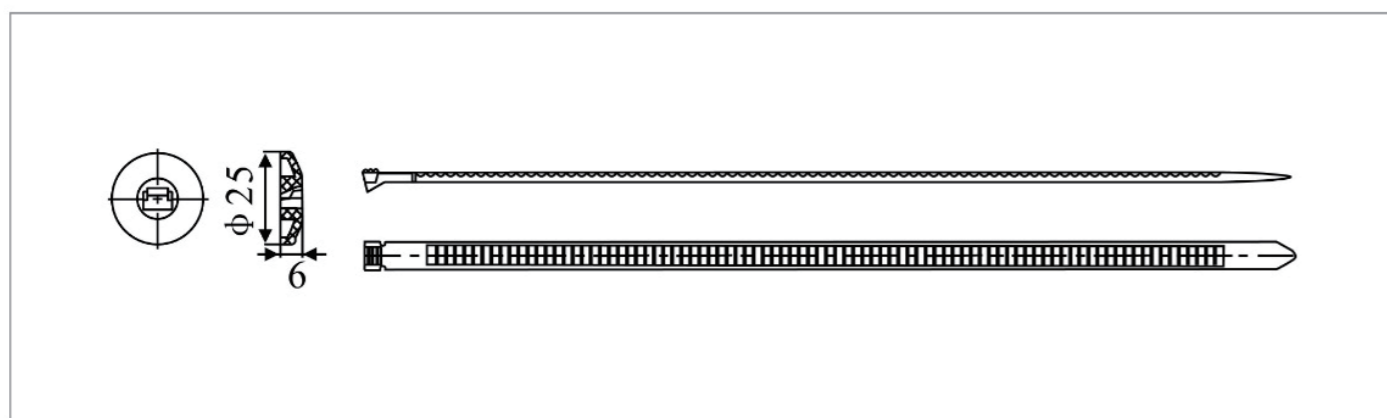
CHASSIS CABLE TIES

基板固定扎带



基板固定扎带 /Chassis Cable Ties

- 产品说明: 两件式设计, 带扣与带身装配成组出货。施工省力。特殊带扣设计, 在完全束紧前可将束带松开。
- 材质: 采用 UL 认可之尼龙 66 料制成, 防火等级 94V-2, 耐酸、耐蚀、绝缘性良好, 不易老化、承受力强。
- Description: Two-piece design, Buckle and strap are one assembly. Zero insertion force. First loop is releasable prior to final tensioning.
- Material: Nylon 66, 94V-2 certified by UL. Heat-resisting, Acid & erosion control, insulate well and not apt to age.



编号 Item NO.	长度 L(mm)	宽度 W(mm)	(最大) 扎范围 Max.bundle Dia.(mm)		最小拉力 Tensile Strength		备注 Remark
			Max.		LBS	KGS	
GTA-280	280	7.8	65		100	45	Single Tooth
GTA-380	380	7.8	85		100	45	Double Tooth

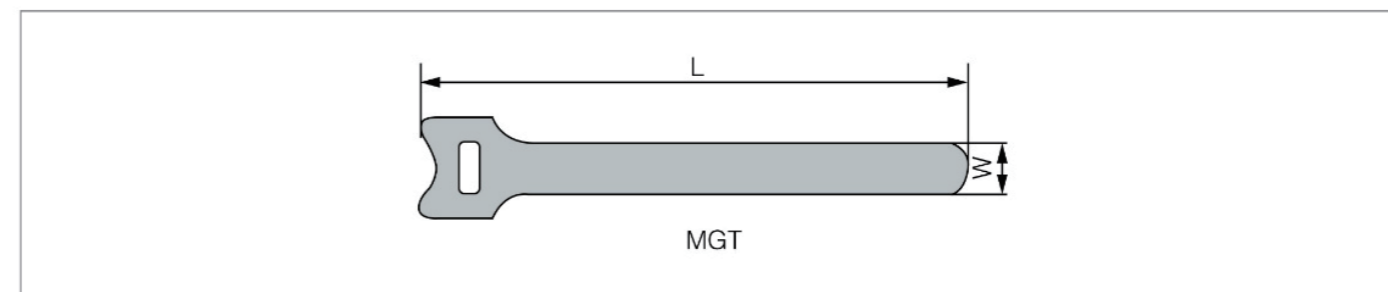
MAGIC CABLE TIES

魔术扎带



产品特点及材质 /Product characteristics and material

- 材质: 公面 PP, 母面 NYLON。
- 颜色: 黑色(BK)、白色(WE)、红色(RD)、黄色(YW)、蓝色(BE)、绿色(GN)
- 用途: 适用于网络线(UTP/STP/Fiber)、讯号线、电源线之束缚, 避免使用传统尼龙扎线带时, 因过紧而影响传输速度, 可重复使用。
- 其他宽度、长度, 欢迎咨询。
- Material: Hook Side: PP Loop Side: Nylon
- Color: Black(BK), White(WE), Red(RD), Yellow(YW), Blue(BE), Green(GN)
- Application: Cord and cable management (UTP/STP/FIBER), wire harnesses, prevent interruption to transmission speed when using traditional Nylon cable ties.
- Reusable and easy to install.



型号 Item No.	长 Length		宽 W	最大束线径 Max.Bundle Dia.	颜色 Color	包装 Packing
	mm	inch				
MGT-125	125.0	5"	12.0	33.0	黑、白、红 黄、蓝、绿 Black, White, Red, Yellow, Blue, Green	20 pcs/包 20 pcs/Bag
MGT-135	135.0	5 1/16"	12.0	33.0		
MGT-150	150.0	6"	12.0	36.0		
MGT-180	180.0	7"	12.0	40.0		
MGT-210	210.0	8 1/4"	16.0	50.0		
MGT-240	240.0	9 7/16"	16.0	65.0		
MGT-310	310.0	12"	16.0	85.0		



STAINLESS STEEL INSERT NYLON CABLE TIE

不锈钢嵌片尼龙扎带

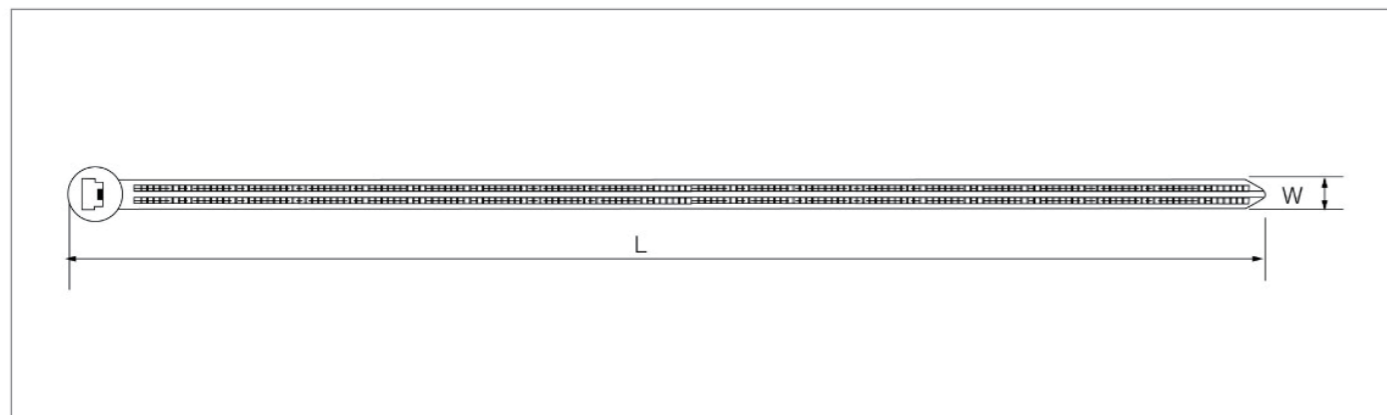
产品特点及材质 /Product characteristics and material



- 产品材料: 尼龙 66
 - 嵌片材料: 不锈钢 316 或 304
 - 温度范围: -40°C ~85°C
 - 产品颜色: 本色或黑色
 - 防火等级: UL94V-2
 - 其他特性: 无卤, 抗紫外线
- Material: Nylon 66
 - Insert material: stainless steel 316 or 304
 - Temperature range: -40°C ~85°C
 - Product color: natural or black
 - Fire rating: UL94V-2
 - Other features: halogen-free, UV resistant

产品特性 /Product characteristics

- 钢牙可以提供更持久的扎带性能, 稳定性更高, 调整度更大
 - 高强度, 操作简单方便;
 - 带身上的点状结构可以防止捆绑后的横向滑动;
 - 尾部设计便于穿过扎带孔, 加快捆绑速度;
 - 产品高于行业标准的拉力强度;
 - 备有不同材料, 适用于多种产品用途和使用环境
 - 适用条件: 户外或室内。
- Steel teeth can provide longer lasting cable tie performance, higher stability, greater adjustment
 - High strength, easy to operate;
 - The point-like structure on the belt can prevent transverse sliding after binding;
 - The tail design is easy to pass through the cable tie hole, speeding up the tying speed;
 - Tensile strength higher than the industry standard;
 - With different materials, suitable for a variety of product applications and use environment
 - Applicable conditions: outdoor or indoor.

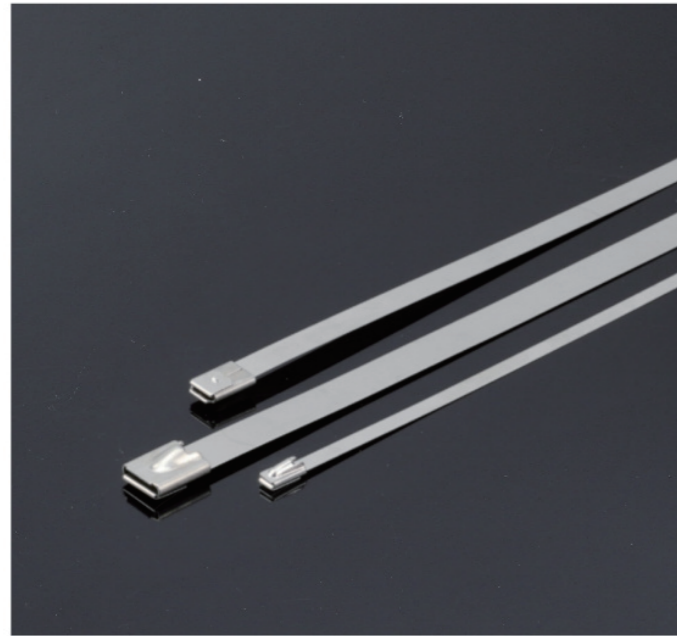


规格型号 Item NO.	宽度 Width		长度 Length		最大捆绑直径 Max. Bundle Dia.		最小捆绑直径 Min.Bundle Dia.		最小拉力 Tensile Strength	
	mm	inch	mm	inch	mm	inch	mm	inch	LBS	KGS
JG-2.4×102	2.4	0.094	102	4.02	23	0.91	2.0	0.079	18	8
JG-2.4×201	2.4	0.094	201	7.91	51	2.01	2.0	0.079	18	8
JG-3×100	3	0.118	100	3.94	22	0.87	2.0	0.079	18	8
JG-3.6×155	3.6	0.142	155	6.10	35	1.38	3.0	0.118	40	18
JG-3.6×284	3.6	0.142	284	11.18	80	3.15	3.0	0.118	40	18
JG-3.6×368	3.6	0.142	368	14.49	104	4.09	3.0	0.118	40	18
JG-3.8×200	3.8	0.150	200	7.84	50	1.97	3.0	0.118	40	18
JG-4.8×186	4.8	0.189	186	7.32	45	1.77	3.5	0.138	50	22
JG-4.8×250	4.8	0.189	250	9.84	65	2.56	3.5	0.138	50	22
JG-4.8×295	4.8	0.189	295	11.61	79	3.11	3.5	0.138	50	22
JG-4.8×361	4.8	0.189	361	14.21	100	3.94	3.5	0.138	50	22
JG-4.8×376	4.8	0.189	376	14.80	107	4.21	3.5	0.138	50	22
JG-6×200	6	0.236	200	7.87	50	1.97	5.0	0.197	50	22
JG-7×221	7	0.276	221	8.70	51	2.01	6.0	0.236	120	55
JG-7×300	7	0.276	300	11.81	80	3.15	6.0	0.236	120	55
JG-7×378	7	0.276	378	14.88	102	4.02	6.0	0.236	120	55
JG-7×460	7	0.276	460	18.11	127	5.00	6.0	0.236	120	55
JG-7×538	7	0.276	538	21.18	152	5.98	6.0	0.236	120	55
JG-7×699	7	0.276	699	27.52	203	7.99	6.0	0.236	120	55
JG-8×240	8	0.315	240	9.45	57	2.24	9.0	0.354	120	55
JG-8×300	8	0.315	300	11.81	76	2.99	9.0	0.354	120	55
JG-8×550	8	0.315	350	13.78	92	3.62	9.0	0.354	120	55
JG-8×400	8	0.315	400	15.75	108	4.25	9.0	0.354	120	55
JG-10×300	10	0.394	300	11.81	77	3.03	14.0	0.551	135	60
JG-10×350	10	0.394	350	13.78	97	3.82	14.0	0.551	135	60
JG-10×400	10	0.394	400	15.75	109	4.29	14.0	0.551	135	60
JG-10×450	10	0.394	450	17.72	124	4.88	14.0	0.551	135	60



STAINLESS STEEL CABLE TIES

不锈钢扎带



产品特性 /Product features

- 滚珠式自锁结构有利于加快安装速度。
- Ball-bearing self-locking structure is conducive to speed up installation.

技术信息 /Technical information

- 产品材料: 不锈钢 304 或 316
- 操作温度: -80°C ~538°C
- 产品描述: 金属色带身及搭扣
- 防火等级: 阻燃
- 材料特性: 抗紫外线
- Material: stainless steel 304 or 316
- Operating temperature: -80°C ~538°C
- Product Description: metal belt body and buckle
- fire rating: flame retardant
- material properties: UV resistance

编号 Item NO.	长度 (mm)		宽度 (mm)	厚度 (mm)	(最大) 扎范围 Max.bundle Dia.(mm)	最小拉力 Tensile Strength	
	Inch	mm			Max.	LBS	KGS
SST-4.6×100	4"	100	4.6	0.25	25	180	80
SST-4.6×152	6"	152	4.6	0.25	35	180	80
SST-4.6×175	6 1/4"	175	4.6	0.25	40	180	80
SST-4.6×200	8"	200	4.6	0.25	50	180	80
SST-4.6×250	10"	250	4.6	0.25	65	180	80
SST-4.6×300	11 5/8"	300	4.6	0.25	80	180	80
SST-4.6×360	14 1/2"	360	4.6	0.25	95	180	80
SST-4.6×400	15 3/4"	400	4.6	0.25	105	180	80
SST-4.6×450	17 3/4"	450	4.6	0.25	127	180	80
SST-4.6×500	19 11/16"	500	4.6	0.25	145	180	80
SST-4.6×520	21 1/16"	520	4.6	0.25	150	180	80
SST-4.6×600	23 5/8"	600	4.6	0.25	175	180	80
SST-4.6×680	25 9/16"	680	4.6	0.25	195	180	80
SST-4.6×750	29 9/16"	750	4.6	0.25	220	180	80
SST-4.6×840	32"	840	4.6	0.25	250	180	80
SST-4.6×900	36 1/4"	900	4.6	0.25	270	180	80
SST-4.6×1050	40 1/6"	1050	4.6	0.25	285	180	80
SST-4.6×1200	48"	1200	4.6	0.25	350	180	80

编号 Item NO.	长度 (mm)		宽度 (mm)	厚度 (mm)	(最大) 扎范围 Max.bundle Dia.(mm)	最小拉力 Tensile Strength	
	Inch	mm			Max.	LBS	KGS
SST-7.9×152	6"	152	7.9	0.25	35	330	150
SST-7.9×175	6 1/4"	175	7.9	0.25	40	330	150
SST-7.9×200	8"	250	7.9	0.25	50	330	150
SST-7.9×250	10"	250	7.9	0.25	65	330	150
SST-7.9×300	11 5/8"	300	7.9	0.25	80	330	150
SST-7.9×360	14 1/2"	360	7.9	0.25	95	330	150
SST-7.9×400	15 3/4"	400	7.9	0.25	105	330	150
SST-7.9×450	17 3/4"	450	7.9	0.25	127	330	150
SST-7.9×500	19 11/16"	500	7.9	0.25	145	330	150
SST-7.9×520	21 1/16"	520	7.9	0.25	150	330	150
SST-7.9×600	23 5/8"	600	7.9	0.25	175	330	150
SST-7.9×680	25 9/16"	680	7.9	0.25	195	330	150
SST-7.9×750	29 9/16"	750	7.9	0.25	220	330	150
SST-7.9×840	32"	840	7.9	0.25	250	330	150
SST-7.9×900	36 1/4"	900	7.9	0.25	270	330	150
SST-7.9×1050	40 1/6"	1050	7.9	0.25	285	330	150
SST-7.9×1200	48"	1200	7.9	0.25	350	330	150
SST-10×300	36 1/4"	300	10	0.25	80	440	200
SST-10×360	40 1/6"	360	10	0.25	95	440	200
SST-10×400	48"	400	10	0.25	105	440	200
SST-10×520	21 1/16"	520	10	0.25	150	440	200
SST-10×600	23 5/8"	600	10	0.25	175	440	200
SST-10×680	25 9/16"	680	10	0.25	195	440	200
SST-10×750	29 9/16"	750	10	0.25	220	440	200
SST-10×840	32"	840	10	0.25	250	440	200
SST-10×900	36 1/4"	900	10	0.25	270	440	200
SST-10×1050	40 1/6"	1050	10	0.25	285	440	200
SST-10×1200	48"	1200	10	0.25	350	440	200
SST-12×300	11 5/8"	300	12	0.35	80	550	250
SST-12×360	40 1/6"	360	12	0.25	95	550	250
SST-12×400	15 3/4"	400	12	0.35	105	550	250
SST-12×520	21 1/16"	520	12	0.35	150	550	250
SST-12×600	23 5/8"	600	12	0.35	175	550	250
SST-12×680	25 9/16"	680	12	0.35	195	550	250
SST-12×750	29 9/16"	750	12	0.35	220	550	250
SST-12×840	32"	840	12	0.35	250	550	250
SST-12×900	36 1/4"	900	12	0.35	270	550	250
SST-12×1050	40 1/6"	1050	12	0.35	285	550	250
SST-12×1200	48"	1200	12	0.35	350	550	250
SST-15×300	11 5/8"	300	15	0.35	80	660	300
SST-15×360	14 1/2"	360	15	0.35	95	660	300
SST-15×400	15 3/4"	400	15	0.35	105	660	300
SST-15×520	21 1/16"	520	15	0.35	150	660	300
SST-15×600	23 5/8"	600	15	0.35	175	660	300
SST-15×680	25 9/16"	680	15	0.35	195	660	300
SST-15×750	29 9/16"	750	15	0.35	220	660	300
SST-15×840	32"	840	15	0.35	250	660	300
SST-15×900	36 1/4"	900	15	0.35	270	660	300
SST-15×1050	40 1/6"	1050	15	0.35	285	660	300
SST-15×1200	48"	1200	15	0.35	350	660	300



STAINLESS STEEL CABLE TIES

不锈钢喷塑扎带



产品特性 / Product features

- 材质：采用不锈钢 304.316 材质，各种长度皆可制作，特殊规格按客户供样制作；
- 特性：耐酸、耐腐蚀、抗张强度高，使用简单，快捷等优势；
- 适用温度范围：-60°C -150°C
- Material:Stainless steel type: 304,316,all length are available,special sizes can be customized;
- Characteristic:Acid-resisting, anti-corrosion, high tensile strength,simple and easy to use, etc.
- Application temperature:-60°C -150°C

编号 Item NO.	长度 (mm)		宽度 (mm)	厚度 (mm)	(最大) 扎范围 Max.bundle Dia.(mm)	最小拉力 Tensile Strength	
	Inch	mm			Max.	LBS	KGS
SST-4.6×100P	4"	100	4.6	0.35	25	130	60
SST-4.6×152P	6"	152	4.6	0.35	35	130	60
SST-4.6×175P	6 1/4"	175	4.6	0.35	40	130	60
SST-4.6×200P	8"	200	4.6	0.35	50	130	60
SST-4.6×250P	10"	250	4.6	0.35	65	130	60
SST-4.6×300P	11 5/8"	300	4.6	0.35	80	130	60
SST-4.6×360P	14 1/2"	360	4.6	0.35	95	130	60
SST-4.6×400P	15 3/4"	400	4.6	0.35	105	130	60
SST-4.6×450P	17 3/4"	450	4.6	0.35	127	130	60
SST-4.6×500P	19 11/16"	500	4.6	0.35	145	130	60
SST-4.6×520P	21 1/16"	520	4.6	0.35	150	130	60
SST-4.6×600P	23 5/8"	600	4.6	0.35	175	130	60
SST-4.6×680P	25 9/16"	680	4.6	0.35	195	130	60
SST-4.6×750P	29 9/16"	750	4.6	0.35	220	130	60
SST-4.6×840P	32"	840	4.6	0.35	250	130	60
SST-4.6×900P	36 1/4"	900	4.6	0.35	270	130	60
SST-4.6×1050P	40 1/6"	1050	4.6	0.35	285	130	60
SST-4.6×1200P	48"	1200	4.6	0.35	350	130	60
SLT-7.9×152P	6"	152	7.9	0.35	35	220	100
SLT-7.9×175P	6 1/4"	175	7.9	0.35	40	220	100
SLT-7.9×200P	8"	200	7.9	0.35	50	220	100
SLT-7.9×250P	10"	250	7.9	0.35	65	220	100
SLT-7.9×300P	11 5/8"	300	7.9	0.35	80	220	100
SLT-7.9×360P	14 1/2"	360	7.9	0.35	95	220	100
SLT-7.9×400P	15 3/4"	400	7.9	0.35	105	220	100
SLT-7.9×450P	17 3/4"	450	7.9	0.35	127	220	100

编号 Item NO.	长度 (mm)		宽度 (mm)	厚度 (mm)	(最大) 扎范围 Max.bundle Dia.(mm)	最小拉力 Tensile Strength	
	Inch	mm			Max.	LBS	KGS
SLT-7.9×500P	19 11/16"	500	7.9	0.35	145	220	100
SLT-7.9×520P	21 1/16"	520	7.9	0.35	150	220	100
SLT-7.9×600P	23 5/8"	600	7.9	0.35	175	220	100
SLT-7.9×680P	25 9/16"	680	7.9	0.35	195	220	100
SLT-7.9×750P	29 9/16"	750	7.9	0.35	220	220	100
SLT-7.9×840P	32"	840	7.9	0.35	250	220	100
SLT-7.9×900P	36 1/4"	900	7.9	0.35	270	220	100
SLT-7.9×1050P	40 1/6"	1050	7.9	0.35	285	220	100
SLT-7.9×1200P	48"	1200	7.9	0.35	350	220	100
SMT-10×300P	36 1/4"	300	10	0.35	80	265	120
SMT-10×360P	40 1/6"	360	10	0.35	95	265	120
SMT-10×400P	48"	400	10	0.35	105	265	120
SMT-10×520P	21 1/16"	520	10	0.35	150	265	120
SMT-10×600P	23 5/8"	600	10	0.35	175	265	120
SMT-10×680P	25 9/16"	680	10	0.35	195	265	120
SMT-10×750P	29 9/16"	750	10	0.35	220	265	120
SMT-10×840P	32"	840	10	0.35	250	265	120
SMT-10×900P	36 1/4"	900	10	0.35	270	265	120
SMT-10×1050P	40 1/6"	1050	10	0.35	285	265	120
SMT-10×1200P	48"	1200	10	0.35	350	265	120
SBT-12×300P	11 5/8"	300	12	0.45	80	330	150
SBT-12×360P	14 1/2"	360	12	0.45	95	330	150
SBT-12×400P	15 3/4"	400	12	0.45	105	330	150
SBT-12×520P	21 1/16"	520	12	0.45	150	330	150
SBT-12×600P	23 5/8"	600	12	0.45	175	330	150
SBT-12×680P	25 9/16"	680	12	0.45	195	330	150
SBT-12×750P	29 9/16"	750	12	0.45	220	330	150
SBT-12×840P	32"	840	12	0.45	250	330	150
SBT-12×900P	36 1/4"	900	12	0.45	270	330	150
SBT-12×1050P	40 1/6"	1050	12	0.45	285	330	150
SBT-12×1200P	48"	1200	12	0.45	350	330	150
SHT-15×300P	11 5/8"	300	15	0.45	80	440	200
SHT-15×360P	14 1/2"	360	15	0.45	95	440	200
SHT-15×400P	15 3/4"	400	15	0.45	105	440	200
SHT-15×520P	21 1/16"	520	15	0.45	150	440	200
SHT-15×600P	23 5/8"	600	15	0.45	175	440	200
SHT-15×680P	25 9/16"	680	15	0.45	195	440	200
SHT-15×750P	29 9/16"	750	15	0.45	220	440	200
SHT-15×840P	32"	840	15	0.45	250	440	200
SHT-15×900P	36 1/4"	900	15	0.45	270	440	200
SHT-15×1050P	40 1/6"	1050	15	0.45	285	440	200
SHT-15×1200P	48"	1200	15	0.45	350	440	200



COMBINATION PACKAGE

组合包装

编号 Item NO.	规格 Size(mm)	数量 Q'ty/Box	颜色 Color	包装 Packing
JG-150	2.5×100	50PCS	Red	PET JAR A SIZE: Φ 5.5xH21CM Q'TY/CTN: 56 SETS CTN SIZE: 47×41.5×23CM
JG-150	2.5×100	50PCS	Yellow	
JG-150	3.5×200	50PCS	Blue	
JG-200	2.5×100	50PCS	Green	
JG-200	2.5×100	50PCS	Natural	
JG-200	2.5×150	50PCS	Blue	
JG-200	2.5×200	50PCS	Natural	
JG-250	2.5×100	50PCS	Red	
JG-250	2.5×100	50PCS	Yellow	
JG-250	2.5×100	50PCS	Black	
JG-250	2.5×100	50PCS	Blue	
JG-250	2.5×100	50PCS	Green	



编号 Item NO.	规格 Size(mm)	数量 Q'ty/Box	颜色 Color	包装 Packing
JG-300	2.5×100	25PCS	Red	PET JAR A SIZE: Φ 8xH21CM Q'TY/CTN: 20 SETS CTN SIZE: 42×34×23CM
JG-300	2.5×100	25PCS	Yellow	
JG-300	2.5×100	25PCS	Blue	
JG-300	2.5×100	25PCS	Green	
JG-300	2.5×100	50PCS	White	
JG-300	3×200	50PCS	Red	
JG-300	3×200	50PCS	Blue	
JG-300	3×200	50PCS	Natural	
JG-400	2.5×100	200PCS	Natural	
JG-400	2.5×100	100PCS	Black	
JG-400	3.5×200	50PCS	Natural	
JG-400	3.5×200	50PCS	Black	
JG-500	2.5×100	100PCS	Red	
JG-500	2.5×100	100PCS	Black	
JG-500	2.5×100	100PCS	Green	
JG-500	2.5×100	100PCS	Blue	
JG-500	2.5×100	100PCS	Yellow	



COMBINATION PACKAGE

组合包装

编号 Item No.	规格 Size(mm)	数量 Q'ty/Box	颜色 Color	包装 Packing
CTM-401	2.5×100	200PCS	Natural	PET JAR M SIZE: Φ11×H18cm Q'TY/CTN: 16 SETS CTN SIZE: 46×46×21cm
	2.5×150	100PCS	Natural	
	3.5×180	100PCS	Natural	
TG-100 TIE GUN		1PCS	Blue	
CTM-500	2.5×100	200PCS	Natural	
	3.5×140	200PCS	Natural	
	4.8×180	100PCS	Natural	
CTM-550		100PCS	Red	
	2.5×100	100PCS	Yellow	
		100PCS	Green	
		100PCS	Blue	
	2.5×150	100PCS	Natural	
	3.6×180	50PCS	Natural	
CTM-650	2.5×100	300PCS	Yellow	
	2.5×100	300PCS	Orange	
	3.5×180	50PCS	Natural	



编号 Item No.	规格 Size(mm)	数量 Q'ty/Box	颜色 Color	包装 Packing
CTL-500	2.5×100	200PCS	Natural	PET JAR L SIZE: Φ11.5×H24.5cm Q'TY/CTN: 16 SETS CTN SIZE: 48×48×26cm
	2.5×150	200PCS	Natural	
	3.5×200	100PCS	Natural	
CTL-501		50PCS	Red	
	2.5×100	50PCS	Yellow	
		50PCS	Blue	
		50PCS	Green	
	2.5×150	100PCS	Natural	
		100PCS	Black	
CTL-650	4.8×180	100PCS	Natural	
	TG-100TIEGUN	1PCS	Blue	
	2.5×100	200PCS	Yellow	
CTL-650		200PCS	Orange	
	2.5×150	100PCS	Yellow	
		100PCS	Orange	
	3.5×200	50PCS	Natural	



COMBINATION PACKAGE

组合包装

编号 Item No.	规格 Size(mm)	数量 Q'ty/Box	颜色 Color	包装 Packing
CTB-450	2.5×100	200PCS	Natural	PET JAR B SIZE: Φ12×H31cm Q'TY/CTN: 12 SETS CTN SIZE: 50×38×33cm
	3.5×150	100PCS	Natural	
	3.6×200	100PCS	Natural	
	4.8×300	50PCS	Natural	
CTB-650	2.5×100	50PCS	Blue	
		50PCS	Red	
		50PCS	Yellow	
	4.8×200	50PCS	Black	
		100PCS	Natural	
		100PCS	Black	
CTB-850	4.8×280	50PCS	Natural	
		100PCS	Blue	
		100PCS	Red	
	2.5×100	100PCS	Yellow	
		100PCS	Green	
		100PCS	Natural	
CTB-1000	3.6×200	200PCS	Black	
		100PCS	Natural	
		50PCS	Natural	
	2.5×100	100PCS	Blue	
		100PCS	Red	
		100PCS	Yellow	
CTB-1200	3.6×300	100PCS	Natural	
		100PCS	Blue	
		100PCS	Red	
	2.5×100	100PCS	Yellow	
		100PCS	Green	
		100PCS	Orange	
CTB-1500	2.5×200	200PCS	Natural	
		100PCS	Blue	
		100PCS	Red	
	2.5×100	100PCS	Yellow	
		100PCS	Green	
		100PCS	Orange	
CTB-1500	2.5×150	200PCS	Natural	
		100PCS	Black	
	2.5×200	400PCS	Natural	
		200PCS	Natural	



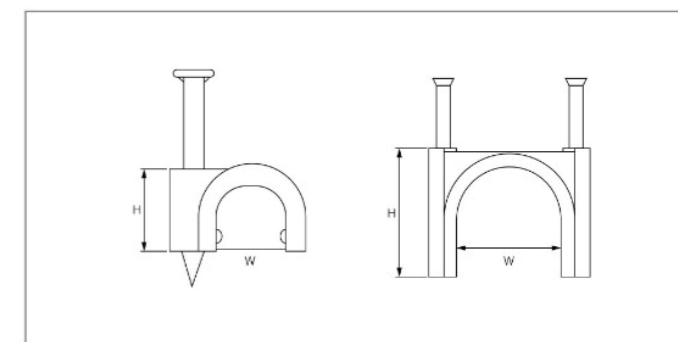
CIRCLE CABLE CLIPS

圆形钢钉线卡



产品特点及材质 /Product characteristics and material

- 材质：采 PE(白色) 射出成型弹性大、耐冲击。
- 特点：本系列固定夹，均为插钉式，钢钉直接附着于塑料座上，可大量节省工时，降低施工成本。
- Material: PE(white) injection molding with high elasticity and impact resistance.
- Features: This series of fixing clips, are pin type, steel nails are directly attached to the plastic seat, can save a lot of time, reduce construction costs.



主要市场 /Main Market

- 欧洲、美洲、南美洲
- India, Bengal, Indonesia, China, Iraq, Syria.

型号 ITEM.NO.	高 (H)(mm)	圆径 CIRCLE PATHD(mm)	钢钉 NAIL
JGR-4mm	5.3	4.0	1.7×15
JGR-5mm	6.3	5.0	1.7×15
JGR-6mm	7.4	6.0	1.8×16
JGR-7mm	8.4	7.0	1.8×18
JGR-8mm	9.4	8.0	1.9×18
JGR-9mm	10.4	9.0	2.0×20
JGR-10mm	11.4	10.0	2.0×22
JGR-12mm	13.4	12.0	2.0×25
JGR-14mm	16.4	14.0	2.3×38
JGR-16mm	17.7	16.0	2.3×32
JGR-18mm	19.7	18.0	2.5×35
JGR-20mm	22.2	20.0	2.8×38
JGR-22mm	25.0	22.0	2.8×40
JGR-25mm	27.7	25.0	3.0×45
JGR-30mm	33.1	30.0	3.5×55
JGR-32mm	35.6	32.0	3.5×55
JGR-35mm	36.6	35.0	3.5×60
JGR-40mm	45.2	40.0	3.5×65
JGR-50mm	53.2	50.0	3.5×65



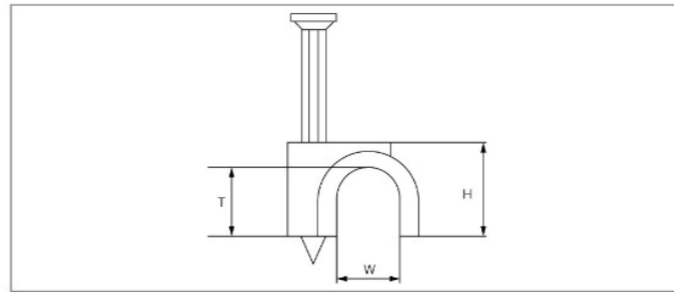
K-TYPE CIRCLE CABLE CLIPS

K型钢钉线卡



产品特点及材质 /Product characteristics and material

- 材质：采用环保 PE 射出成型弹性大、耐冲击。钢钉采用高碳性沟纹水泥钉且达到 90°折弯不断。
- 特点：本系列固定夹，均为插钉式，钢钉直接附着于塑料座上，可大量节省工时，降低施工成本。
- Material: environmental protection PE injection molding, high elasticity, impact resistance. The steel nail adopts high carbon groove grain cement nail and reaches 90° bending constantly.
- Features: This series of fixing clips, are pin type, steel nails are directly attached to the plastic seat, can save a lot of time, reduce construction costs.



主要市场 /Main Market

- 欧洲、美洲、南美洲
- .Europe, America, South America

规格型号 Item No.	高 (H) (mm)	内高 (T) (mm)	内高 W (mm)	钢钉 Nail Size (mm)
JGK-4mm	6.5	4.5	4	2.5×18
JGK-5mm	7.5	5.5	5	2.5×18
JGK-6mm	9.5	7.3	6	2.5×18
JGK-7mm	11.0	7.8	7	2.5×22
JGK-8mm	11.5	8.5	8	2.5×22
JGK-9mm	12.5	9.5	9	2.5×22
JGK-10mm	13.8	10.5	10	2.5×26
JGK-11mm	14.8	11.5	11	2.5×26
JGK-12mm	16.0	12.5	12	2.5×26
JGK-14mm	18.0	14.5	14	3.0×35
JGK-16mm	25.5	16.5	16	3.2×38
JGK-18mm	22.5	18.5	18	3.2×38
JGK-20mm	25.0	20.8	20	3.2×38
JGK-22mm	27.2	22.5	22	3.2×42
JGK-25mm	30.2	25.5	25	3.2×47
JGK-32mm	38.0	32.5	32	3.5×56

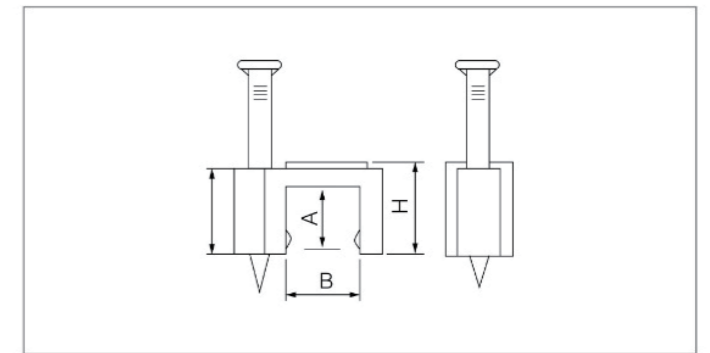
FLAT CABLE CLIPS

扁型钢钉线卡



产品特点及材质 /Product characteristics and material

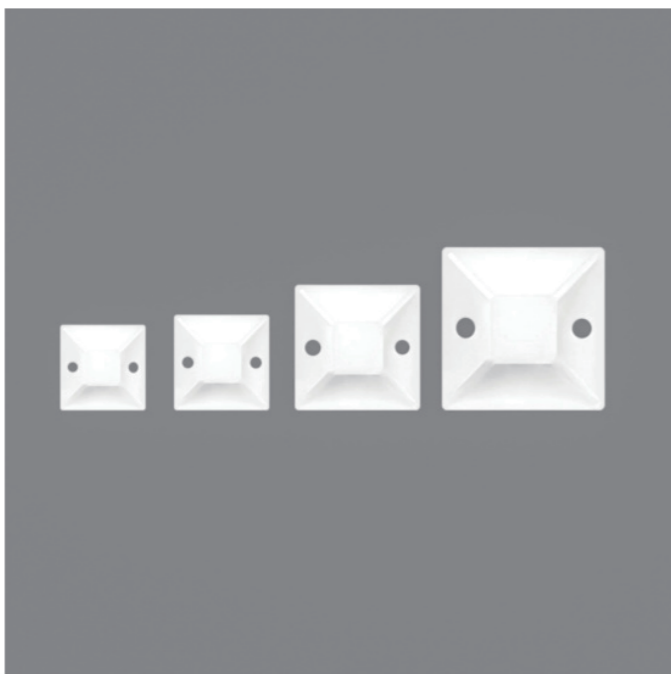
- 本系列线卡，均采用 PE(白色、灰色)料注射成型，耐冲击，绝不破裂。
- 本系列线卡，均为插钉式，钢钉直接附在线卡，可大量节省工时，降低施工成本。
- PE(white,grey),elasticity and shock resisting.
- Inserting type, nail attached in clips, Save time and cost.



型号 ITEM.NO.	高 (H)(mm)	A	B	钢钉 NAIL
JGF-4mm	6.0	3.8	4	1.7×15
JGF-5mm	6.0	3.8	5	1.7×15
JGF-6mm	6.5	4.1	6	1.7×15
JGF-7mm	7.0	4.7	7	1.8×16
JGF-8mm	7.5	5.0	8	1.8×16
JGF-9mm	8.2	5.4	9	1.8×16
JGF-10mm	8.6	5.7	10	1.8×18
JGF-12mm	9.0	6.1	12	2.0×20
JGF-14mm	11.0	8.0	14	2.0×20

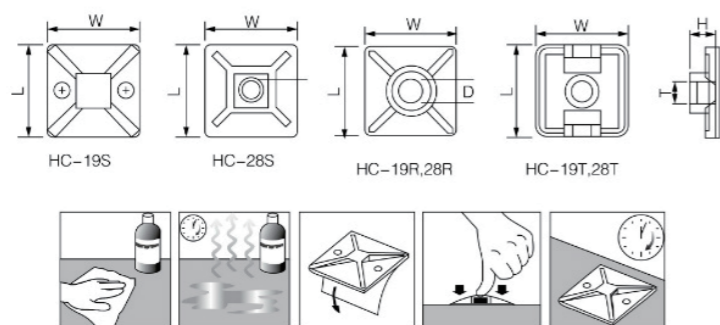
SELF ADHESIVE TIE MOUNT

自粘式扎带固定座



产品描述 /The product description

- 材质: UL 合格之 NYLON66(本色), 防火等级 94V-2, 底座背胶。
- 用法: 使用时将底面胶带撕去离型纸, 再将固定贴于铁板之上, 复以扎线带穿于孔中, 即可使用, 可省去面板钻孔之麻烦。
- 使用之扎线带: 扎线带宽度小于带孔 (T) 者。
- Material: UL NYLON66(natural color), 94V-2 fire rating, base back glue.
- Usage: When used, tear the bottom tape off the release paper, and then attach it to the iron plate, and then thread it through the hole with the cable tie belt, which can be used, eliminating the trouble of drilling the panel.
- Cable tie: the width of cable tie is less than the hole (T).



产品编号 ITEM NO.	长 × 宽 L×W(mm)	高 H(mm)	安装孔直径 Mounting Hole(D)(mm)	扎带宽度 Cable Tie Hole(T)(mm)
JG-20S	20×20	6.1	2.9	4.5
JG-25S	25×25	7.5	3.5	5.0
JG-30R	30×30	8.7	4.5	5.5
JG-40R	40×40	6.4	5.2	6.0

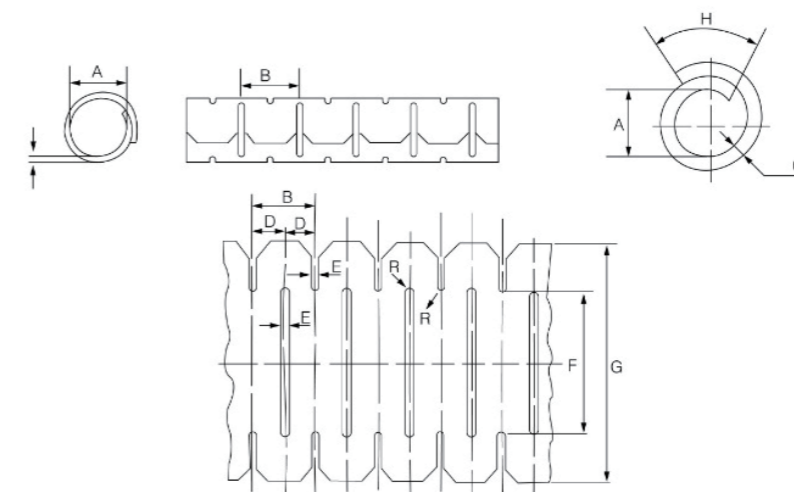
CABLE TIDY(ATTACHED CLIP)

包线管 (附夹子)



产品特点及材质 /Product characteristics and material

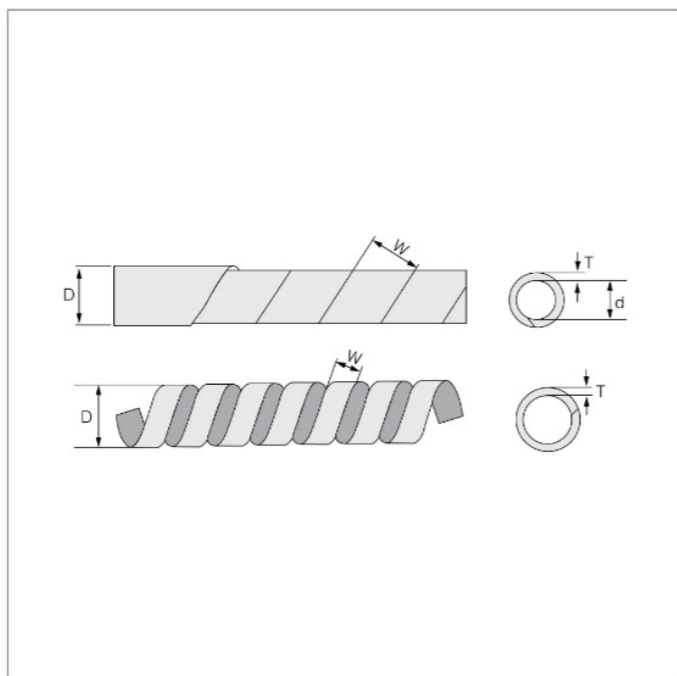
- 材质: PE(理线器 ABS)
- 结束方法: 剪下所需长度, 配合专用工具, 一手压在上端, 将工具向下拉, 便可瞬间完成整线工作。
- 结束力: 本产品若使用变更是拆下容易, 再重新使用原有的卷束带时其卷束力仍然不变。
- 用途: 美观安全结束电线并有保护电线 免于割伤及绝缘。
- 特殊颜色, 接收订制。
- Material: PE(wire trimmer ABS)
- End method: Cut the required length, cooperate with the special tool, press the upper end with one hand, pull the tool down, and the whole line can be finished instantly.
- End FORCE: If this product is easy to disassemble if it is changed, the coil force will remain unchanged when the original coil belt is re-used.
- Use: Beautiful and safe end wire and protect wire from cutting and insulation.
- Special color, receive custom.



产品编号 ITEM NO	A(mm)	B(mm)	C(mm)	MAX DIA (mm)	D(mm)	E(mm)	F(mm)	T(mm)	H(mm)
JG-10	8	10	0.7	9.0	5.0	1.5	20.0	34.0	5~8
JG-15	13	14	0.9	15	7.0	2.0	37.0	53.0	6~10
JG-20	18	18	1.0	20	9.0	2.0	52.0	72.0	10~15
JG-25	23	21	1.1	25	10.5	2.2	64.0	88.0	12~17
JG-30	27	23	1.2	29	11.5	2.3	78.0	100.0	15~20
JG-35	33	29	1.3	35	14.5	2.8	98.0	125.0	18~25

SPIRAL WRAPPING BANDS

卷式结束带 (缠绕管)



产品描述 /The product description

- 材质: PE 本色 (另备黑色)
- 结束方法: 剪下所需长度, 以扎线带固定一端, 再将卷束依顺时针方向卷绕即可。
- 特点: 本产品若使用变更是拆下容易, 在重新使用原有的卷式结束带时, 其卷束力仍然不变。
- 用途: 结束电线并有保护电线免于割伤及绝缘。特殊颜色, 接受订制。
- Material: PE natural color (black is available)
- End method: Cut the required length, fix one end with a cable tie, and then wind the bundle in the direction of the clock.
- Features: This product is easy to remove if the use of change, when the original winding end belt is re-used, its winding force is still unchanged.
- Use: End the wire and protect the wire from cutting and insulation. Special color, accept custom.

产品编号 ITEM NO	d(mm)	D(mm)	W(mm)	Wrapping Range (mm)
SWB-03	1.5	3.0	4.0	1.5-10
SWB-06	4.0	6.0	7.0	4-50
SWB-08	6.0	8.0	10.8	6-60
SWB-10	8.0	10.0	11.4	7.5-60
SWB-12	9.0	12.0	14.0	9-65
SWB-15	12.0	15.0	15.0	12-75
SWB-19	15.0	19.0	18.0	15-100
SWB-24	20.0	24.0	19.5	20-130
SWB-30	26.0	30.0	43.0	26-150

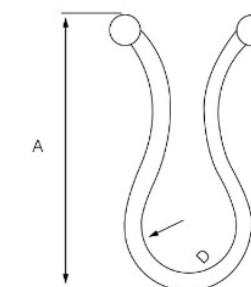
TWIST TIES

扭线环



产品特性 /Product Feature

- 材质: UL 合格之 NYLON 66(本色), 防火等级 94V-2。
- 特点: 束线简易、牢固、并可松开, 多次重复使用。
- Material: UL qualified NYLON 66(natural color), Fire rating 94V-2.
- Features: Simple, firm, and can be loosened, repeated use.



编号 ITEM NO	A(mm)	D(mm)
TL-5	20	5.0
TL-8	26	8.3
TL-11	30	11.0
TL-13	30	13.3
TL-18	40	17.9
TL-23	43	22.7

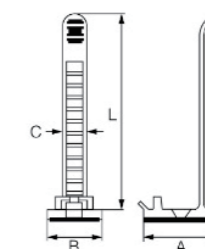
ADJUSTABLE CABLE CLAMP

可调式粘式线夹



产品特点及材质 /Product characteristics and material

- 材质: UL 合格之 NYLON66(本色), 防火等级 94V-2, 底座背胶。
- Material: UL NYLON66(natural), 94V-2 fire rating, rubber base



产品编号 ITEM NO	Dimension(mm)				Max.Bundle Dia.
	A(mm)	B(mm)	C(mm)	L(mm)	
TTC-17	25.0	18.0	7.9	70.0	17.0
TTC-22	30.5	21.0	12.0	90.0	22.0
TTC-26	30.5	21.0	12.0	108.0	26.0

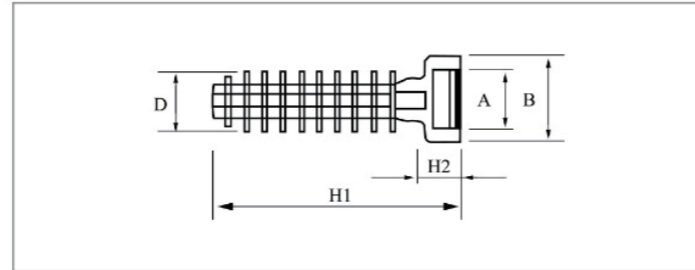
CABLE TIE HOLDER

扎线固定座



产品特点及材质 /Product characteristics and material

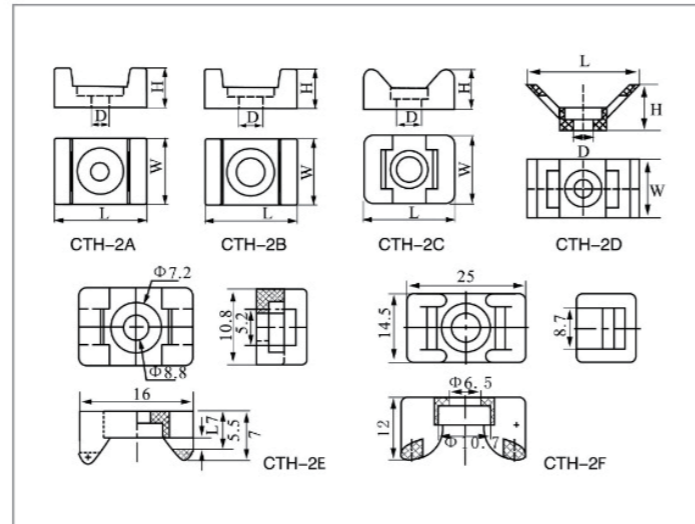
- 材质：采用 PA 料制成。
- 颜色：白、黑
- Material: Made of PA material.
- Color: White, black



编号 ITEM NO	A (mm)	B (mm)	H1 (mm)	H2 (mm)	外径 (D)(mm)
CTH-1	10	14.8	40.2	5.9	10

CABLE TIE HOLDER

扎线固定座



编号 ITEM NO	H(mm)	L(mm)	W(mm)	孔径 (D)(mm)
CTH-2A	9.5	22	16	4.5
CTH-2B	9.5	22	16	6.8
CTH-2C	9.5	22	16.5	5.8
CTH-2D	11.8	29	15	5.2
CTH-2E	7	16	10.8	3.8
CTH-2F	12	25	14.5	6.5



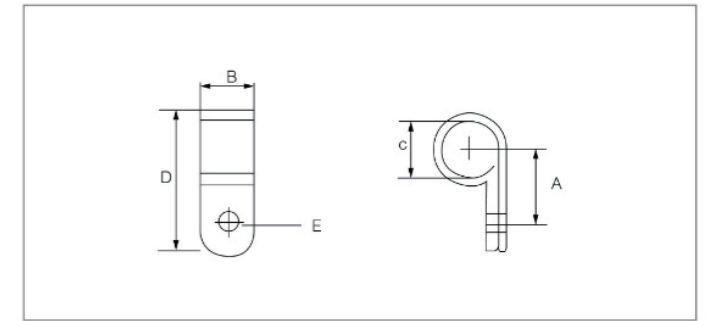
R TYPE CABLE CLAMP

R 型线夹



产品特点及材质 /Product characteristics and material

- 材质：UL 合格之 NYLON66(本色)，防火等级 94V-2。
- 用法：将电缆套入钮环中（如附图），再议螺丝固定。
- 用途：电机、电子、冷气配线之固定用。
- Material: UL NYLON66(natural), 94V-2 fire rating.
- Usage: INSERT THE CABLE INTO THE BUTTON RING (as in the attached picture), then fix the screw.
- Application: Electrical, electronic, air conditioning wiring fixation.



产品编号 ITEM NO	inch	A(mm)	B(mm)	C(mm)	D(mm)	E(mm)
UC-3.3	1/8"	9.5	9.6	3.3	17	4.0
UC-5.2	3/16"	10.5	9.6	5.5	18.5	4.0
UC-6.4	1/4"	12	9.6	6.35	21	4.0
UC-8.4	5/16"	12.5	9.6	8.35	22.8	4.0
UC-10.4	3/8"	13.5	9.6	10.35	23.8	4.0
UC-13.2	1/2"	13.5	9.6	12.7	25.8	4.0
UC-16	5/8"	16.5	9.6	15.8	30.5	4.0
UC-19	3/4"	17	12	19	35.5	4.0
UC-23	1"	26	13	23	44	4.0
UC-30	1 1/4"	23	12.7	30	47	4.0
UC-50	2 1/4"	41	12.5	50	77	4.0

PACKAGE DISPLAY DRAWING

包装展示图

